

ASSEMBLY INSTRUCTIONS

JAMAX[®] STILLASSYSTEMER SCAFFOLDING SYSTEM

Load class & permissible load	Type approved and classified as load class 3, with a permissible load of 200 kg per square meter (m ²) (2,0 kN/m ²) (evenly distributed).
Foundation	Where the ground/foundation is soft or wet and there is a risk of sagging, a suitable wooden plank should be placed underneath the adjustable feet to distribute the load evenly on the ground. If the ground beneath the plank is not level, the plank should be levelled by means of a wedge or similar.
Assembly, usage, disassembly	The scaffolding must be assembled and used according to the provided assembly instructions.
Anchoring / securing	The scaffolding must be secured to the facade, with one anchor point per 10 square metres (m ²). These anchor points should be evenly distributed, either on each frame lengthwise and every second level, or in a triangular configuration (fig.9).
Safety	While the scaffolding is in use, components must not be removed, as this can affect safety. If the scaffolding is left unused for a longer period of time, and after rough weather, the assembly of the scaffolding should be inspected before use.
Maintenance	All the scaffolding components should be cleaned and checked at regular intervals. This is done by lubricating all movable parts with oil or grease, and making sure that no dirt or other materials (i.e. paint, concrete etc) gets stuck to the components. An inspection report should be made every 3-6 months, dependent on its use.
Repair vs. discarding	Damages on components that may lead to breakage, or materials that are not in satisfactory shape after inspection, must be set aside for further maintenance, repair, or discarding.
Pulley (Heisehjul)	A pulley for hoisting materials or scaffolding equipment can be placed onto the spigots at the top of the frames. <u>Maximum permissible load for the pulley is 70 kg.</u> (fig.9)
Console brackets for extra platform (Knekt for plattform)	The console brackets are installed by putting the "hook" at the top of the bracket underneath the top beam of the frame, and then sliding the bracket sideways onto the pole of the frame, and finally locking it by pushing it downwards onto the railing and/or securing it with clamps (fig.4).
Brackets for protective screens (Knekt for skjerm)	The brackets for protective screens are installed by putting the "hook" at the lower end of the bracket around the base of the outer pole of the frame. The U-section at the other end of the bracket is then slid upwards on the pole of the frame until the correct angle is achieved. One or two platforms are then installed onto the brackets. (fig.8)
Railings (Rekkverk)	The construction of the railings makes diagonal bracing unnecessary. Because of this, railings must not be removed while the scaffolding is in use, as this may affect stability.
Accessories / attachments	When installing externally attached accessories to the scaffolding (i.e. console brackets, pulley etc), an extra anchor point to the facade must be installed at the location of the component.

If you have any questions regarding assembly and use, please contact:



Alutec AS, Industrivegen 43, NO-5200 Os, Norway
Tel: (+47) 56 30 41 00, Fax: (+47) 56 30 41 01
E-mail: info@alutec.no, Internet: www.alutec.no

ASSEMBLY INSTRUCTIONS

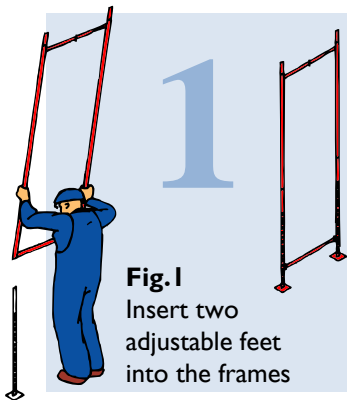


Fig.1
Insert two adjustable feet into the frames

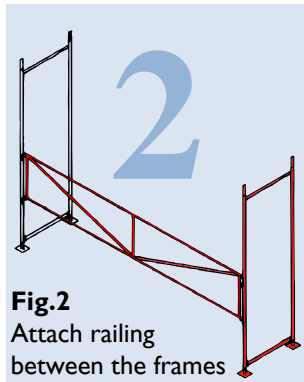


Fig.2
Attach railing between the frames

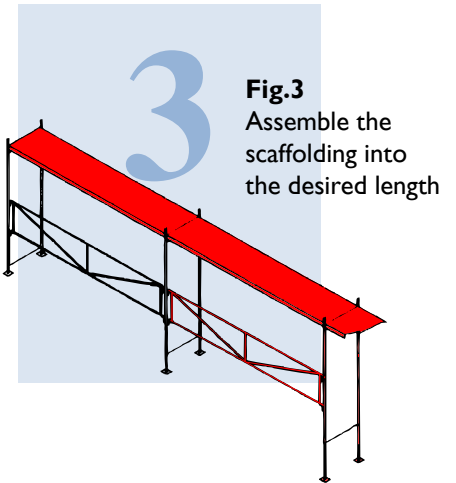


Fig.3
Assemble the scaffolding into the desired length

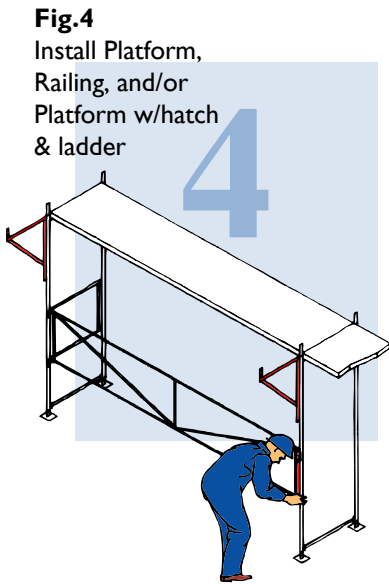


Fig.4
Install Platform, Railing, and/or Platform w/hatch & ladder

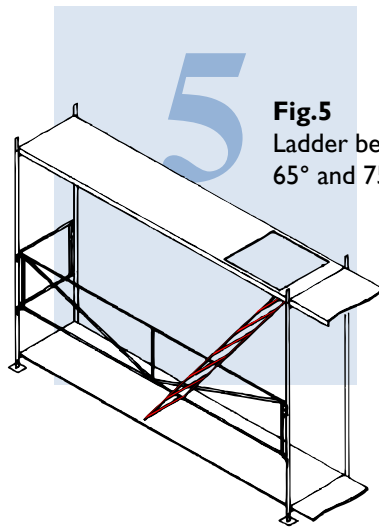


Fig.5
Ladder between 65° and 75°

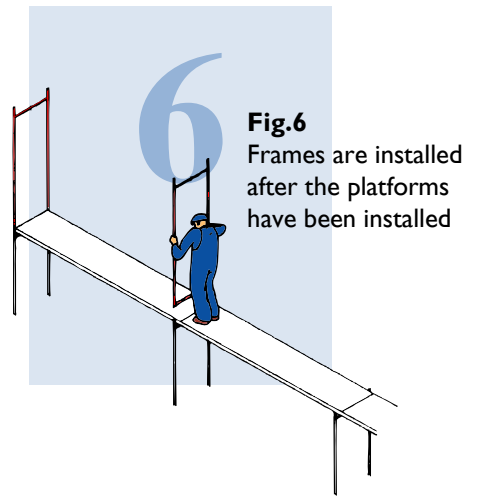


Fig.6
Frames are installed after the platforms have been installed



Fig.7
Attach railings, toe-boards, and end-railing

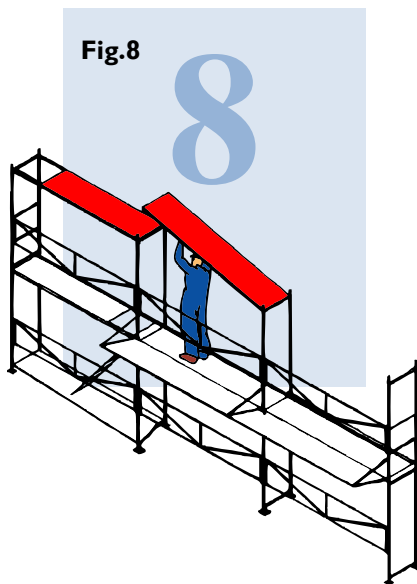
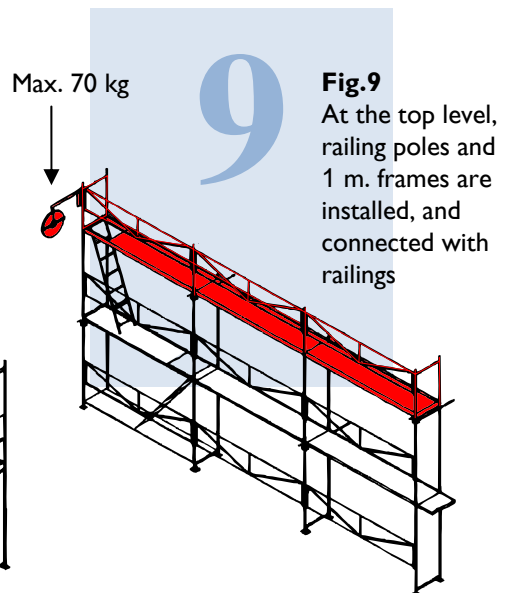


Fig.8



Max. 70 kg

Fig.9
At the top level, railing poles and 1 m. frames are installed, and connected with railings